

Simple. Elegant. Functional.

Arcadia offers functional design, from a single module to a comprehensive system. Its unique, patent pending Contour profiles and decorative design options truly set Arcadia apart from the rest.

Patent Protected.

**Not Available
from APCO USA
Components
Division**

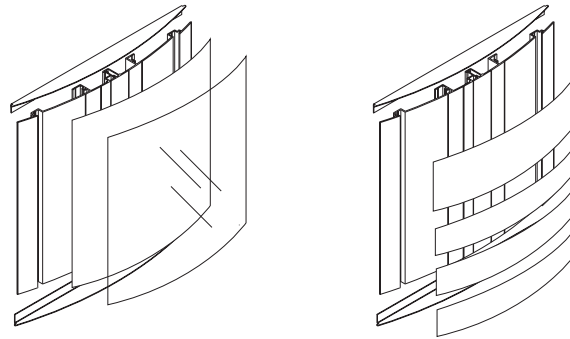
Your Source for Sign Systems



**Not Available
from APCO USA
Components
Division**

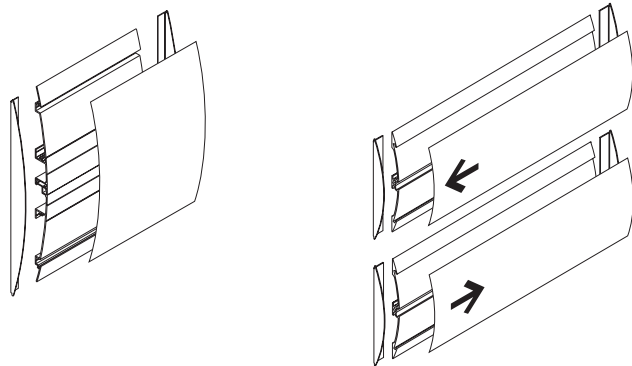
Series 1000
Arcadia Vertical

Arcadia Series 1000 features an extruded aluminum base, designed to hold a variety of modular insert componets, including laser printed paper, injected molded message strips, braille/tactile plaques, and more.



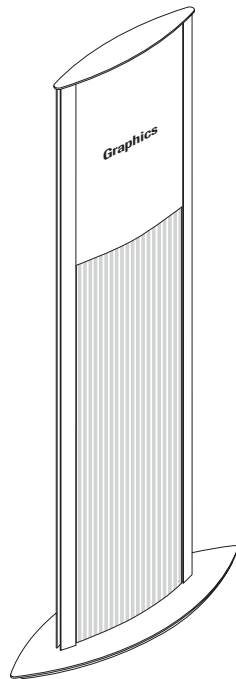
Series 2000
Arcadia Horizontal

Utilizing the same simple components as Series 1000, Arcadia's Series 2000 features an entirely different look. With Contour edge profiles at top and bottom, Series 2000 offers a new range of creative solutions.

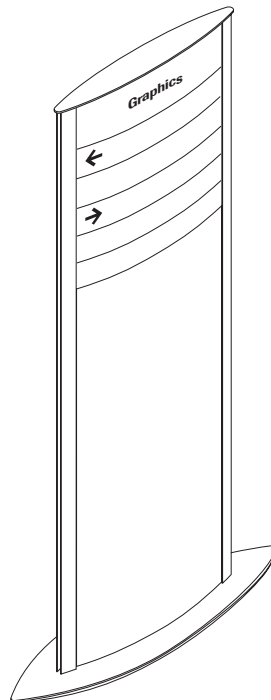


Series 3000
Arcadia Free-Standing

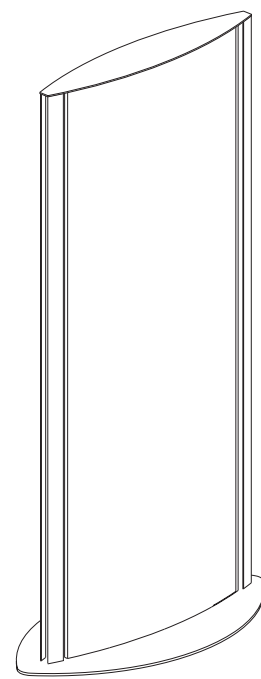
Free-standing signs allow for placement in open areas, as well as easy relocation of temporary signs. Arcadia's Series 3000 offers one of the most well designed yet simple and easy solutions available.



ARFS-280
280mm (11") Width

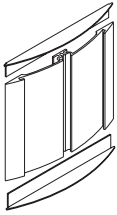


ARFS-430
430mm (17") Width



ARFS-560
560mm (22") Width

Holders

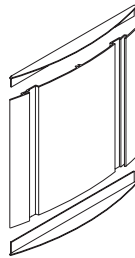


ARH100
100mm (4") Width

ARH100 Holder Specifications		Finishes
Overall width:	5.063" (128.6mm)	Mill
Visual Width:	3.75" (95.25mm)	Nat. Satin Anodized
Max. Insert Width:	4.0625" (103.2mm)	
Min. Insert Width:	3.938" (100mm)	
Max. Insert Thickness:	.085" (2.2mm)	

Notes:

1. Maximum insert thickness may vary slightly depending upon the finish of the sign holders, i.e. satin anodized, wet-sprayed, powder coated, etc.
2. APCO International stock length: 100" (2540mm)

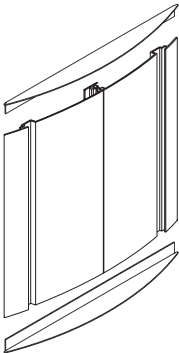


ARH150
150mm (5-7/8") Width

ARH150 Holder Specifications		Finishes
Overall width:	7.5" (190.5 mm)	Mill
Visual Width:	5.625" (142.87mm)	Nat. Satin Anodized
Max. Insert Width:	6.062" (154mm)	
Min. Insert Width:	5.938" (150.8mm)	
Max. Insert Thickness:	.085" (2.2mm)	

Notes:

1. Maximum insert thickness may vary slightly depending upon the finish of the sign holders, i.e. satin anodized, wet-sprayed, powder coated, etc.
2. APCO International stock length: 100" (2540mm)

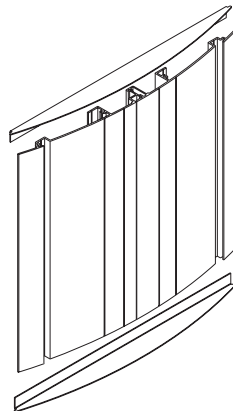
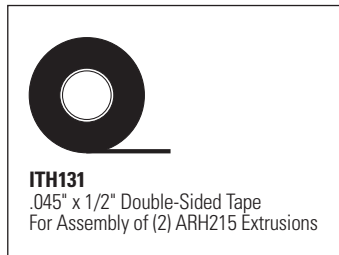


ARH215
8-1/2" (215mm) Width

ARH215 Holder Specifications		Finishes
Overall Width:	10.188" (257.78mm)	Mill
Visual Width:	8.0" (203.2mm)	Nat. Satin Anodized
Max. Insert Width:	8.5" (215.9mm)	
Min. Insert Width:	8.375" (212.73mm)	
Max. Insert Thickness:	.085" (2.2mm)	
Compatible Inserts:	Letter (8-1/2" x 11") A4	

Notes:

1. Maximum insert thickness may vary slightly depending upon the finish of the sign holders, i.e. satin anodized, wet-sprayed, powder coated, etc.
2. APCO International stock length: 100" (2540mm)
3. In some countries, ARH215 may be offered as a single extrusion. Consult you local APCO Distributor for details.



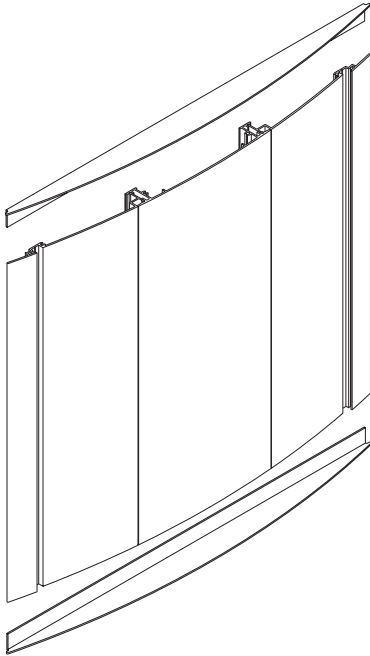
ARH280-L
ARH280-R
11" (280mm) Width

ARH280 Holder Specifications		Finishes
Overall width:	13" (330.2mm)	Mill
Visual Width:	10.563" (268.3mm)	Nat. Satin Anodized
Max. Insert Width:	11.063" (281mm)	
Min. Insert Width:	10.875" (276.2mm)	
Max. Insert Thickness:	.093" (2.4mm)	
Compatible Inserts:	Letter (8-1/2" x 11") Tabloid (11" x 17")	

Notes:

1. Maximum insert thickness may vary slightly depending upon the finish of the sign holders, i.e. satin anodized, wet-sprayed, powder coated, etc.
2. APCO International stock length: 136" (3454mm)

Holders cont.



ARH430-LR
ARH430-C
17" (430mm) Width

ARH430 Holder Specifications

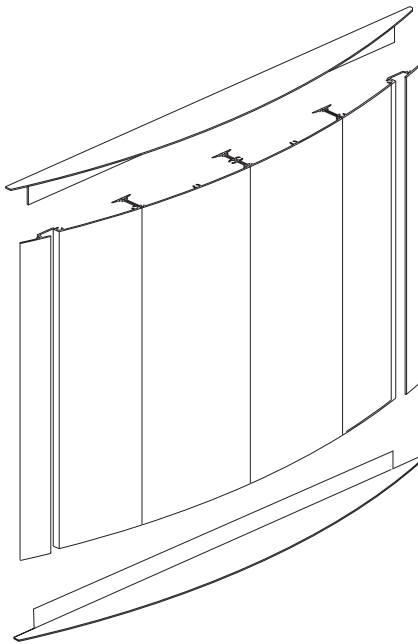
Overall width:	18.781" (477mm)
Visual Width:	16.375" (415.93mm)
Max. Insert Width:	17.032" (432.6mm)
Min. Insert Width:	16.812" (427mm)
Max. Insert Thickness:	.093" (2.4mm)
Compatible Insert Size:	Tabloid (11" x 17") A3

Finishes

ARH430-C (center)
Nat. Satin Anodized
ARH430-LR (left/right)
Nat. Satin Anodized

Notes:

1. Maximum insert thickness may vary slightly depending upon the finish of the sign holders, i.e. satin anodized, wet-sprayed, powder coated, etc.
2. APCO International stock length: 136" (3454mm)



ARH560-LR
ARH560-C
22" (560mm) Width

ARH560 Holder Specifications

Overall width:	24.25" (615.95mm)
Visible Width:	21.375" (542.93mm)
Insert Width:	22.09" (561mm)
Edge Profile Width:	1.375" (34.93mm)
Max. Insert Thickness:	.140 (3.56mm)

Finishes

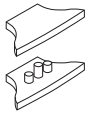
ARH560-C (center)
Mill
ARH560-LR (left/right)
Nat. Satin Anodized

Notes:

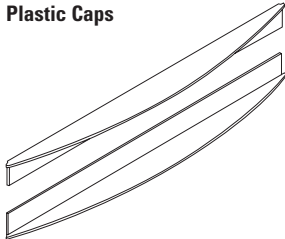
1. Maximum insert thickness may vary slightly depending upon the finish of the sign holders, i.e. satin anodized, wet-sprayed, powder coated, etc.
2. APCO International stock length: 148" (3759mm)

Caps & Closures

Create different looks using either uniquely shaped plastic "button" caps, or low-profile full aluminum closures.



Plastic Caps



Aluminum Closures

Product Code	Description	Attachment to Holder Via:
AR100/150EC	Molded Plastic Caps for ARH100 & ARH150	Epoxy & Tape
AR215EC	Molded Plastic Caps for ARH215	Epoxy & Tape
AR100ECM	Aluminum Closure for ARH100	Epoxy & 1/2" x 1/32" Vinyl Tape
AR150ECM	Aluminum Closure for ARH150	Epoxy & 1/2" x 1/32" Vinyl Tape
AR215ECM	Aluminum Closure for ARH215	Epoxy & 1/2" x 1/32" Vinyl Tape
AR280ECM	Aluminum Closure for ARH280	Rivets, Epoxy & 1/2" x 1/32" Vinyl Tape
AR430ECM	Aluminum Closure for ARH430	Rivets, Epoxy & 1/2" x 1/32" Vinyl Tape
AR560ECM	Aluminum Closure for ARH560	Rivets, Epoxy & 1/2" x 1/32" Vinyl Tape

Standard Colors

Plastic Caps

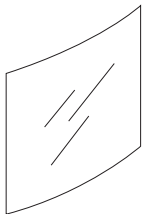
- A78 Pearl Gray
- A02 Black

Aluminum Closures

- Mill Finish
- Natural Satin Anodized

Insert Options

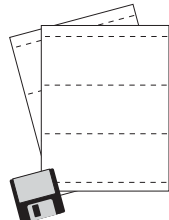
The Arcadia system offers a wide range of front loaded, interchangeable inserts, maximizing creative possibilities. Custom insert options are virtually limitless.



ARI040-CL
.040"/1mm PETG for ARH100, 150, 250 & 280

ARI060-CL
.060"/ 1.5mm PETG for ARH430

ARI080-CL
.080"/ 2mm non-glare acrylic for ARH560



SWAR

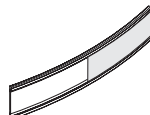
Perforated Paper Inserts of APCO's SignWord Pro Signmaking Software System

Colors

- A72 Bone White
- A78 Pearl Gray
- A43 Beige



ARI-MB
Injection Molded Modular Message Bands
45mm x 280mm (cut to size)
45mm x 430mm (stock length)
60mm x 280mm (cut to size)
60mm x 430mm (stock length)



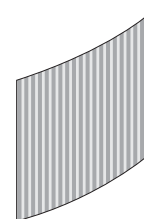
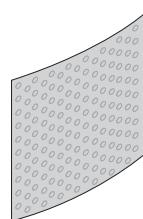
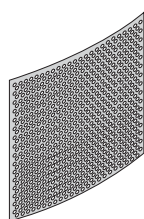
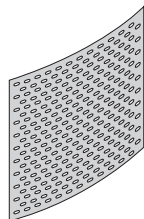
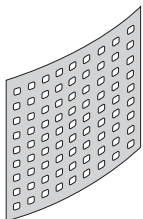
ARI-SL
Aluminum Slider
30mm x 150mm
30mm x 215mm

Finishes

- Mill
- Natural Satin Anodized

Integral Colors

- A72 Bone White
- A78 Pearl Grey

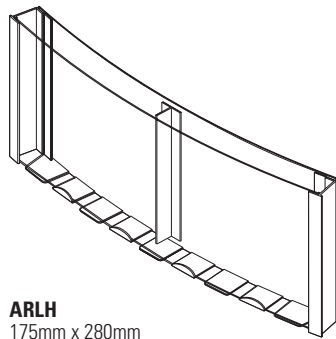


ARI-DM

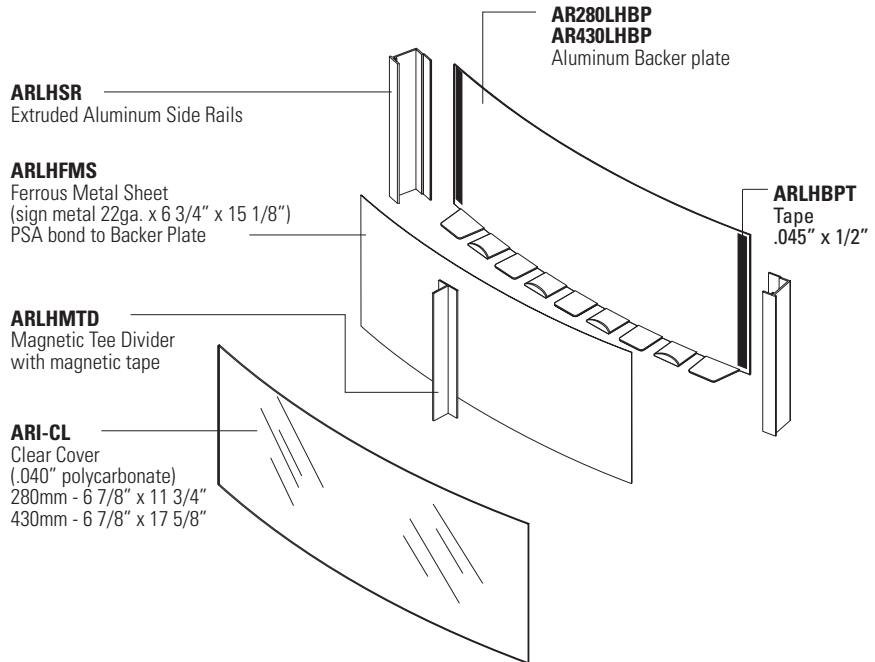
Decorative Metal Inserts
Consult your local APCO Distributor for availability and finishes.

Literature Holder

Truly unique, the Arcadia Literature Holder is a well-designed, 100% modular solution for the display of brochures, pamphlets and other printed material. Widths of the pockets are easily adjusted to accommodate a wide range of brochure sizes.

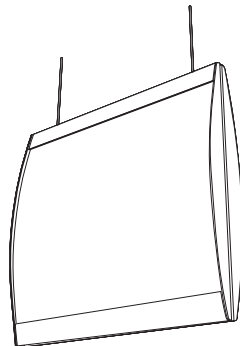


ARLH
175mm x 280mm
175mm x 430mm
175mm x 560mm

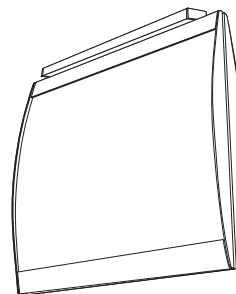


Attachment Options

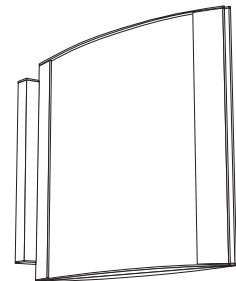
From walls to ceilings to desk tops and office panel systems, Arcadia offers a range of quality, well-engineered attachment solutions for every environment and situation.



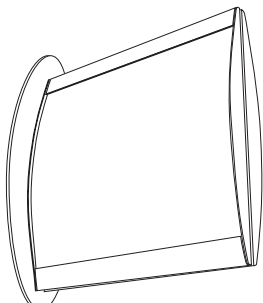
ARSCM
Suspended Ceiling



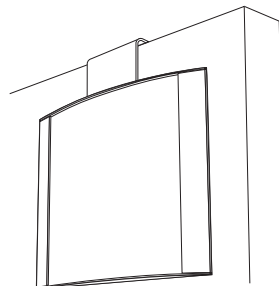
ARFCM
Flush Ceiling



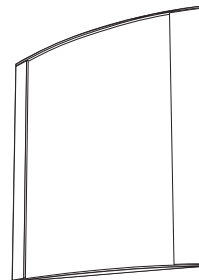
ARPWM1000
Projecting Wall Series 1000



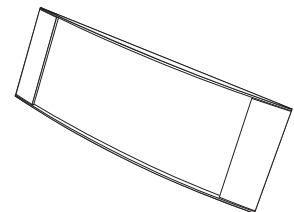
ARPWM2000
Projecting Wall Series 2000



ARPCA
Office Panel - Aluminum Clip
Attachment
*Unique concealed PIN Mount
attachment also available for fabric
surfaces.*



ARSTD
Wall Mount
*Vinyl Tape and/or Mechanical
Fasteners*



ARDSA
Desk Top